

## DS-7716NI-K4/16P Series NVR

### Key Feature

- Up to 16-ch IP camera inputs
- H.265+/H.265/H.264+/H.264 video formats
- Up to 1-ch@12 MP or 2-ch@8 MP or 4-ch@4 MP or 8-ch@1080p decoding capacity
- Plug & play with 16 power-over-Ethernet (PoE) interfaces
- Up to 160 incoming bandwidth



### Professional and Reliability

- H.265+ compression effectively reduces the storage space by up to 75%
- Adopt stream over TLS encryption technology which provides more secure stream transmission service

### HD Video Output

- Provide independent HDMI and VGA outputs
- HDMI video output at up to 4K resolution

### Storage and Playback

- 4 SATA interfaces for HDD connection (up to 10 TB capacity per HDD)
- 16-ch synchronous playback

### Smart Function

- Support multiple VCA (Video Content Analytics) events
- Configurable special camera smart functions, such as VCA detection (motion, line crossing, intrusion, etc.) and ANPR

### Network & Ethernet Access

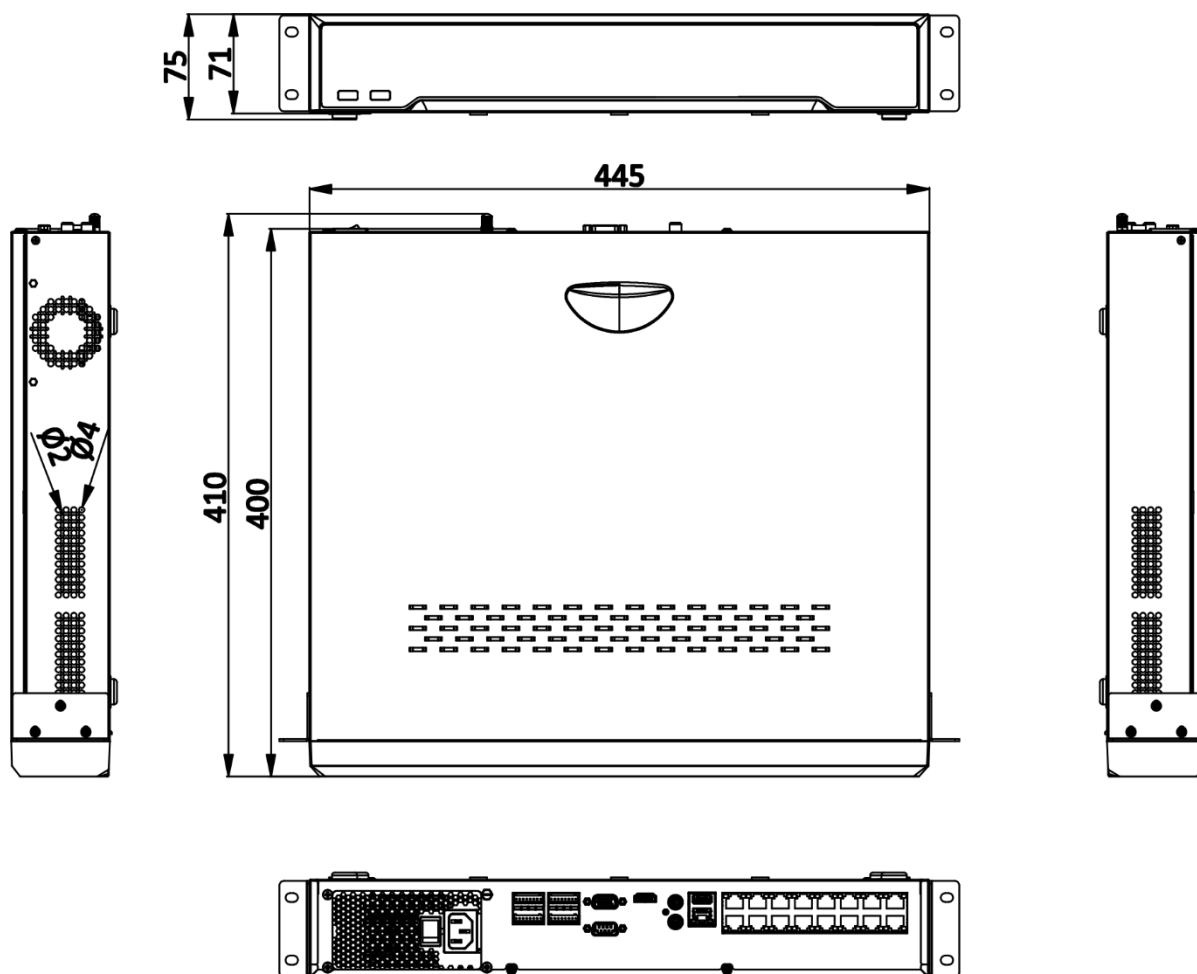
- 1 self-adaptive 10/100/1000 Mbps Ethernet interface
- 16 independent PoE network interfaces
- Hik-Connect for easy network management

## ▪ Specification

Video and Audio	
IP Video Input	16-ch Up to 8 MP resolution
Incoming Bandwidth	160 Mbps
Outgoing Bandwidth	160 Mbps
HDMI Output	1-ch, 4K (3840 × 2160)/30Hz, 2K (2560 × 1440)/60Hz, 1920 × 1080/60Hz, 1600 × 1200/60Hz, 1280 × 1024/60Hz, 1280 × 720/60Hz, 1024 × 768/60Hz
VGA Output	1-ch, 1920 × 1080/60Hz, 1600 × 1200/60Hz, 1280 × 1024/60Hz, 1280 × 720/60Hz
Video Output Mode	HDMI/VGA independent output
Audio Output	1-ch, RCA (Linear, 1 K $\Omega$ )
Two-Way Audio	1-ch, RCA (2.0 Vp-p, 1 K $\Omega$ , using the audio input)
Decoding	
Decoding Format	H.265/ H.265+/H.264/H.264+
Recording Resolution	12 MP/8 MP/6 MP/5 MP/4 MP/3 MP/1080p/UXGA/ 720p/VGA/4CIF/DCIF/2CIF/CIF/QCIF
Synchronous Playback	16-ch
Decoding Capability	1-ch@12 MP (30 fps)/2-ch@8 MP (30 fps)/4-ch@4 MP (30 fps)/8-ch@1080p (30 fps)
Stream Type	Video, Video & Audio
Audio Compression	G.711ulaw/G.711alaw/G.722/G.726/AAC
Network	
Remote Connection	128
Network Protocol	TCP/IP, DHCP, IPv4, Hik-Connect, DNS, DDNS, NTP, RTSP, SADP, SMTP, SNMP, NFS, iSCSI, ISUP, UPnP™, HTTP, HTTPS
Network Interface	1, RJ-45 10/100/1000 Mbps self-adaptive Ethernet interface
PoE	
Interface	16, RJ-45 10/100 Mbps self-adaptive Ethernet interface
Power	≤ 200 W
Standard	IEEE 802.3 af/at
Auxiliary Interface	
Serial Interface	2 RS-485 (half-duplex), 1 RS-232
SATA	4 SATA interfaces
Capacity	Up to 10 TB capacity for each HDD
Alarm In/Out	16/4 (16/9 is optional)
USB Interface	Front panel: 2 × USB 2.0; Rear panel: 1 × USB 3.0
Ctrl 12V	N/A (optional to support)
DC 12V	N/A (optional to support)

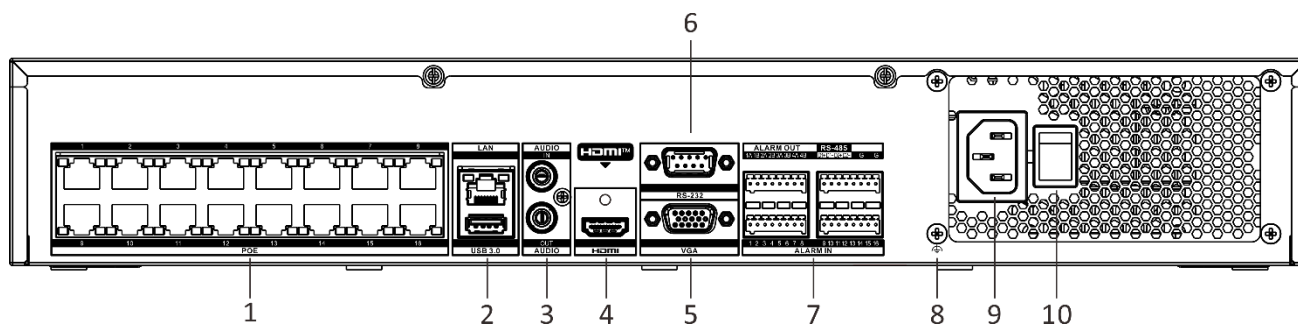
<b>General</b>	
Power Supply	100 to 240 VAC, 50 to 60Hz
Consumption	≤ 20 W (without HDD and PoE off)
Working Temperature	-10 °C to 55 °C (14 °F to 131 °F)
Working Humidity	10% to 90%
Dimension (W × D × H)	445 × 400 × 71 mm ( 17.5"× 15.7" × 2.8")
Weight	≤ 5 kg (without HDD, 11 lb.)
<b>Certification</b>	
FCC	Part 15 Subpart B, ANSI C63.4-2014
CE	EN 55032: 2015, EN 61000-3-2, EN 61000-3-3, EN 50130-4, EN 55035: 2017
Obtained Certification	CE, KC, WEEE, REACH, ROHS, CB, LOA

Dimension



scale/1:1;Unit/mm

## Physical Interface



No.	Description	No.	Description
1	Network interfaces with PoE function	6	RS-232 interface
2	LAN interface and USB 3.0 interface	7	Alarm in, alarm out, and RS-485
3	Audio out and audio in	8	GND
4	HDMI interface	9	100 to 240 VAC power supply
5	VGA interface	10	Power switch

## Available Model

DS-7716NI-K4/16P

### Headquarters

No.555 Qianmo Road, Binjiang District,  
Hangzhou 310051, China  
T +86-571-8807-5998  
www.hikvision.com



Follow us on social media to get the latest product and solution information.

