

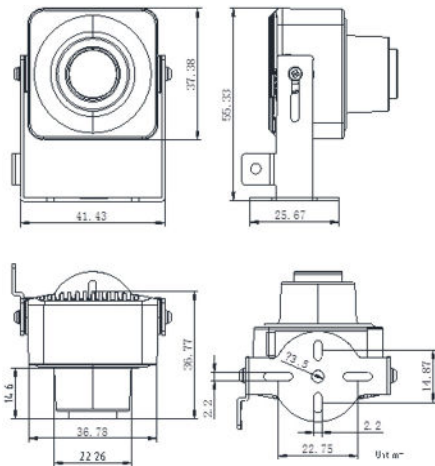
DS-2CD2D14WD/M Covert 1 MP WDR Mini Network Camera



Key Features

- 1 MP (1280 × 720 @ 30 fps) Resolution
- High Video Compression Ratio, ROI (Region of Interest) Encoding
- 100 dB Wide Dynamic Range
- Electronic Day/Night
- 3D Digital Noise Reduction
- Dual Streams
- Intrusion Detection and Line Crossing

Dimensions



Order Model

DS-2CD2D14WD/M

DS-2CD2D14WD/M	
Camera	
Image Sensor	1/4" progressive scan CMOS
Minimum Illumination	0.028 lux @ (f/2.0, AGC on)
Shutter Speed	1/3 s to 1/100,000 s
Lens	2.8 mm @ f/2.0, angle of view: 67.3°; 4 mm @ f/2.0, angle of view: 53°
Lens Mount	M12
Day/Night	Electronic
Wide Dynamic Range	100 dB
Digital Noise Reduction	3D DNR
Compression Standard	
Video Compression	H.264/MJPEG
H.264 Encoding Level	Main Profile
Video Bit Rate	32 Kbps to 8 Mbps
Image	
Maximum Resolution	1280 × 720
Frame Rate	30 fps (1280 x 720), 30 fps (704 x 576), 30 fps (640 x 480)
Image Settings	Saturation, brightness, contrast adjustable by client software or Web browser
Backlight Compensation	Yes, zone optional
ROI	Supported
Network	
Network Storage	NAS (supports NFS, SMB/CIFS)
Alarm Trigger	Motion detection, dynamic analysis, tampering alarm, network disconnect, IP address conflict, storage exception
Protocols	TCP/IP, ICMP, HTTP, HTTPS, FTP, DHCP, DNS, DDNS, RTP, RTSP, RTCP, PPPoE, NTP, UPnP, SMTP, SNMP, IGMP, 802.1X, QoS, IPv6, Bonjour
General	One-key reset, flash-prevention, dual stream, heartbeat, mirror, password protection, privacy mask, watermark, IP address filtering, anonymous access
Standards	ONVIF, PSIA, CGI, ISAPI
Interface	
Communication Interface	1 RJ-45 10M/100M Ethernet interface
General	
Operating Conditions	-22° to 140° F (-30° to 60° C) Humidity 95% or less (non-condensing)
Power Supply	12 VDC ±10%
Power Consumption	3 W maximum
Dimensions	2.18" x 1.63" x 1.45" (55.33 mm × 41.43 mm × 36.77 mm)
Weight	0.12 lbs (55 g)