

DS-2CD2955FWD-I(S) 5 MP Network Fisheye Camera



Key Features

- Up to 5 megapixel high resolution
- 2560×1920 @30fps
- H.265, H.265+, H.264+, H.264
- Support 14 display modes
- FOV: horizontal field of view 180°, vertical field of view 180°
- Dual video streams
- Digital Noise Reduction
- Support on-board storage, up to 128 G
- DC12V & PoE (802.3af)
- Up to 8 m IR range
- -S: Audio/Alarm IO
- Mobile Monitoring via Hik-Connect



Specification

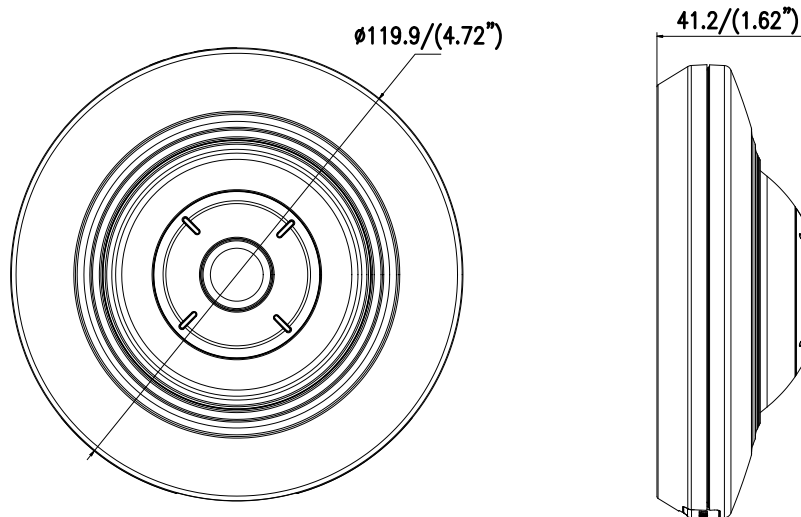
| Camera | |
|--------------------------------|---|
| Image Sensor | 1/2.5" Progressive Scan CMOS |
| Min. Illumination | Color: 0.01Lux @ (F1.2, AGC ON), 0.034Lux @ (F2.2, AGC ON), 0 Lux with IR on |
| Shutter Speed | 1/3 s to 1/100,000 s |
| Lens | 1.05 mm @ F2.2, horizontal field of view: 180°, vertical field of view: 180° |
| Lens Mount | M12 |
| Day & Night | IR cut filter with auto switch |
| DNR | 3D DNR |
| Wide Dynamic Range | 120 dB |
| Compression Standard | |
| Video Compression | Main stream: H.265/H.264 Sub-stream: H.265/H.264/MJPEG |
| H.264 Type | Main Profile/High Profile |
| H.264+ | Support |
| H.265 Type | Main Profile |
| H.265+ | Support |
| Video Bit Rate | 32 Kbps to 16 Mbps |
| Audio Compression (-S) | G.711/G.722.1/G.726/MP2L2/PCM |
| Audio Bit Rate (-S) | 64Kbps(G.711)/16Kbps(G.722.1)/16Kbps(G.726)/32-192Kbps(MP2L2) |
| Image | |
| Max. Resolution | 2560 × 1920 |
| Main Stream Max. Frame Rate | 50Hz: 25fps (2560 × 1920, 2048 × 1536, 1280 × 960) 60Hz: 30fps (2560 × 1920, 2048 × 1536, 1280 × 960) |
| Sub-Stream Max. Frame Rate | 50Hz: 25fps (352 × 288, 704 × 576) 60Hz: 30fps (352 × 240, 704 × 576) |
| Image Settings | Saturation, brightness, contrast, and sharpness are adjustable via client software or web browser |
| Image Enhancement | WDR/3D DNR/Backlight Compensation/Defog |
| Day/Night Switch | Auto/Schedule/Triggered by Alarm In (-S model supports) |
| Region of Interest | Support 1 fixed region for main stream and sub-stream |
| Lens Distortion Correction | Support |
| Live View Display | |
| Mount Type | Support table, wall, and ceiling |
| Display Mode | Support 14 display modes in total (including display modes of different mount types): Fisheye View, 180 Panorama View, 4PTZ, Fisheye + 3PTZ, 360 Panorama View, 360 Panorama + PTZ, 360 Panorama + 3PTZ, 360 Panorama + 6PTZ, 360 Panorama + 8PTZ, 2PTZ, Fisheye + 8PTZ, Panorama View, Panorama + 3PTZ, Panorama + 8PTZ |
| Audio (-S) | |
| Environment Noise Filtering | Support |
| Audio I/O | Support |
| Sampling Rate | 8kHz/16kHz/32kHz/44.1kHz/48kHz |
| Network | |
| Network Storage | NAS (Support NFS,SMB/CIFS), built-in microSD/SDHC/SDXC card slot, up to 128 G, ANR |
| Alarm Trigger | Video tampering alarm, HDD full, HDD error, network disconnected, IP address conflicted, illegal login |

| | |
|-------------------------|---|
| Detection | Motion detection, dynamic analysis, intrusion detection, line crossing detection |
| Protocols | TCP/IP, ICMP, HTTP, HTTPS, FTP, DHCP, DNS, DDNS, RTP, RTSP, RTCP, PPPoE, NTP, UPnP, SMTP, SNMP, IGMP, 802.1X, QoS, IPv6 |
| Standard | ONVIF (PROFILE S, PROFILE G), ISAPI |
| General Function | One-key reset, anti-flicker, password protection, privacy mask, IP Address filtering, heartbeat, watermark |
| Firmware Version | V5.5.52 |
| Interface | |
| Communication Interface | 1 RJ45 10M/100M self-adaptive Ethernet port |
| Audio (-S) | 1 audio input (line in), 1 audio output interface |
| Alarm (-S) | 1 alarm input, 1 alarm output (DC24V, 1A or AC110V, 500mA, max.) |
| On-board Storage | Built-in microSD/SDHC/SDXC slot, up to 128 G |
| General | |
| Operating Conditions | -10 °C to +50 °C (-14 °F to +122 °F), Humidity 95% or less (non-condensing) |
| Power Supply | 12 VDC, 0.5 A, max. 6 W PoE (802.3af, 36 V to 57 V), 0.2 A to 0.1 A, max. 7.5 W |
| IR Range | Up to 8 m |
| Dimensions | Φ 119.9 × 41.2 mm (Φ 4.72" × 1.62") |
| Weight | 600 g (1.32 lbs.) |

Available Model

DS-2CD2955FWD-I (1.05 mm), DS-2CD2955FWD-IS (1.05 mm)

Dimension



Unit: mm(inch)

Accessory**DS-1294ZJ**
Wall mount**DS-1281ZJ-DM27**
Inclined ceiling mount**DS-1297ZJ**
Pendant mount
(extendable)**DS-1299ZJ**
Pendant mount

Distributed by

**HIKVISION®****Headquarters**No.555 Qianmo Road, Binjiang District,
Hangzhou 310051, China
T +86-571-8807-5998
overseasbusiness@hikvision.com**Hikvision USA**
T +1-909-895-0400
sales.usa@hikvision.com**Hikvision Italy**
T +39-0438-6902
info.it@hikvision.com**Hikvision Singapore**
T +65-6684-4718
sg@hikvision.com**Hikvision Africa**
T +27 (10) 0351172
sale.africa@hikvision.com**Hikvision Europe**
T +31-23-55-42-770
info.eu@hikvision.com**Hikvision France**
T +33(0)1-85-330-450
info.fr@hikvision.com**Hikvision Oceania**
T +61-2-8599-4233
salesau@hikvision.com**Hikvision Hong Kong**
T +852-2151-1761**Hikvision Middle East**
T +971-4-8816086
salesme@hikvision.com**Hikvision Spain**
T +34-91-737-16-55
info.es@hikvision.com**Hikvision Canada**
T +1-909-895-0400
sales.usa@hikvision.com**Hikvision Russia**
T +7-495-669-67-99
saleru@hikvision.com**Hikvision Poland**
T +48-22-460-01-50
poland@hikvision.com**Hikvision Korea**
T +82-31-731-8841
sales.korea@hikvision.com**Hikvision India**
T +91-22-28469900
sales@pramahikvision.com**Hikvision UK**
T +01628-902140
support.uk@hikvision.com**Hikvision Brazil**
T +55 11 3318-0050
Latam.support@hikvision.com